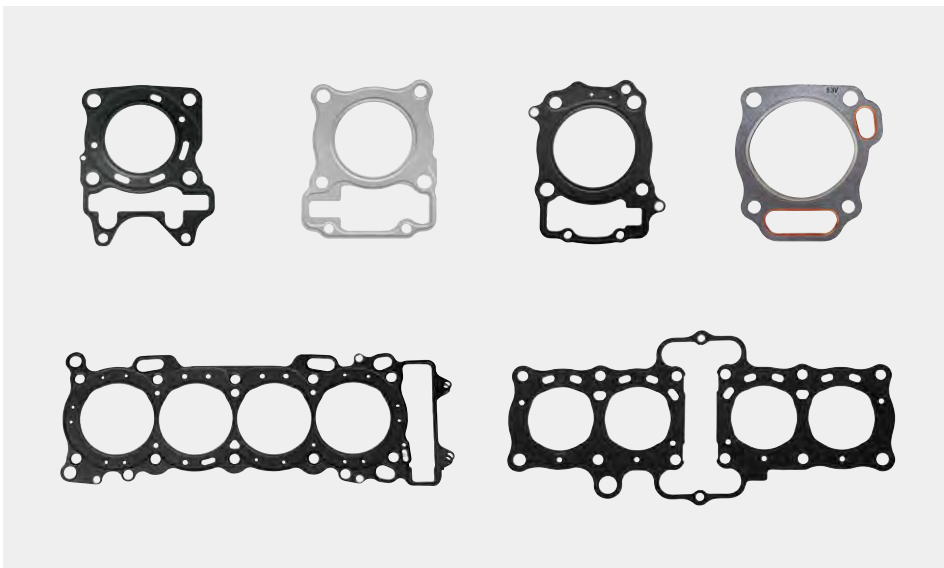


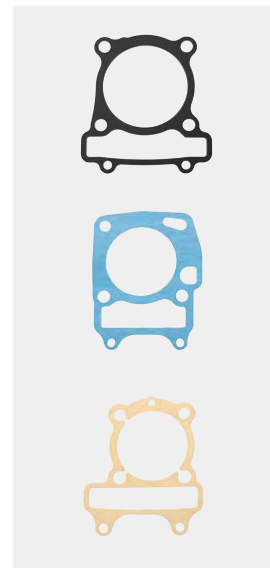
Products for motorcycles and general purpose



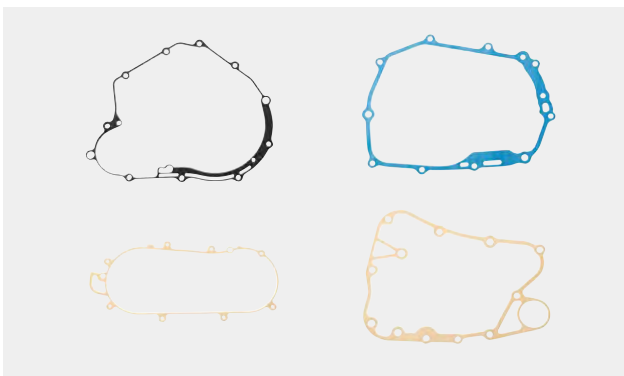
Cylinder head gaskets



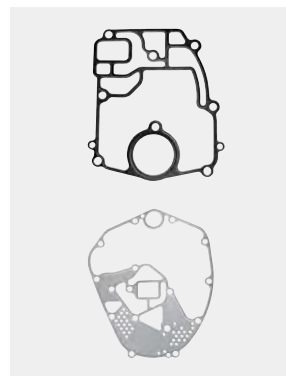
Cylinder gaskets



Case packings



Oil pan packings



Exhaust gaskets

